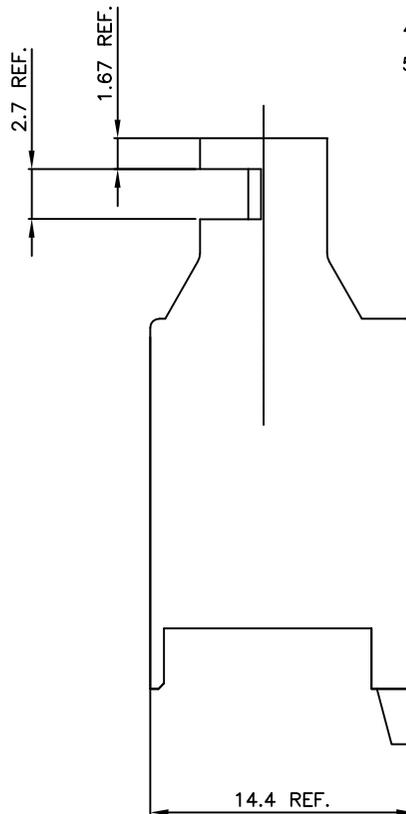
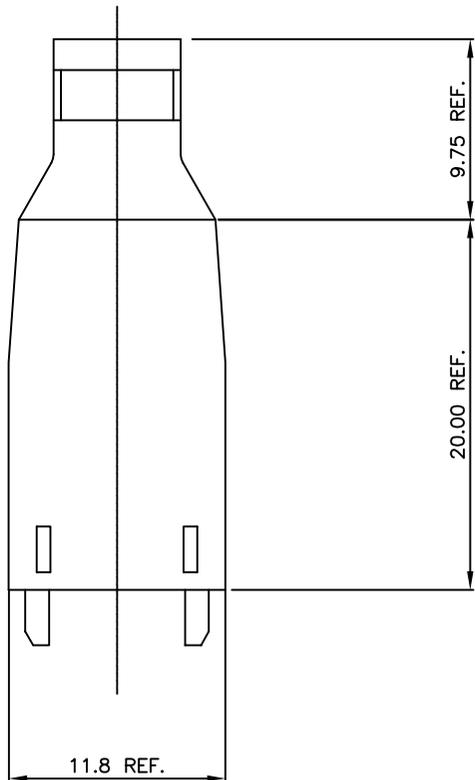
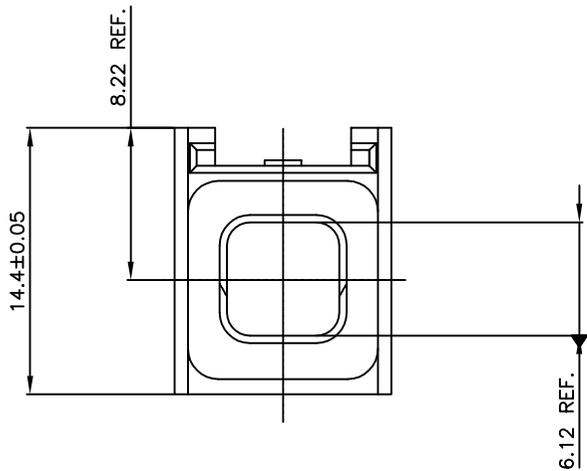


PRODUCT NUMBER 88976-001LF



NOTES:

1. MATERIAL: THERMOPLASTIC POLYESTER 30% GLASS FILLED. FLAME RETARDANT ACCORDING UL-94-V0. COLOR: BLACK.
2. ALL DIMENSION SHOWN ARE REFERENCE.
3. STANDARD METRAL (tm) CABLE CONNECTOR LATCH IS USED WITH THIS COVER.
4. THIS PRODUCT MEETS EUROPEAN UNION DIRECTIVES AND OTHER COUNTRY REGULATIONS AS DESCRIBED IN GS-22-008.
5. THE PRODUCT IS NOT INTENDED TO BE EXPOSED TO A MANUFACTURING SOLDER PROCESS.

All rights strictly reserved. Reproduction or use in any form without the written permission of FCI is prohibited. © FCI Inc.

| | | | | | | | |
|---------------------------|-----------|---------------------------------------|--------|---------------|--|----------------|-----------|
| mat'l code SEE NOTE 1. | | tolerances unless otherwise specified | | CUSTOMER COPY | ELECTRONICS www.fciconnect.com | | |
| ltr | ecn no | dr | date | linear | projection | title | |
| A | H10348 | DAN | 920424 | | | | |
| B | 0005-0438 | Clu | 051103 | angles | mm | product family | |
| | | | | dr | | | D Andrews |
| | | | | eng | | code | |
| | | | | chr | P Schalk | 920424 | 213 |
| | | | | app | D Andrews | 920424 | 1 of 1 |
| sheet | revision | | | scale | 5:1 | A2 | 88976 |
| Indx | shes | | | | | | |

PDM: Rev.B

STATUS: Released

Printed: Nov 27, 2007